

APPLICATION:

PRODUCT NAME:

**SINGLE BASE BACKSPLASH MOUNT
WITH SWIVEL OUTLET**

JOB NAME:

_____ SPECIAL CONFIGURATION
(CHECK BASE MODEL AND OPTIONS)

QUANTITY:

ITEM NO.:

MODEL:

3900

OPTIONS OR MODIFICATIONS:

OTHER _____

FEATURES:

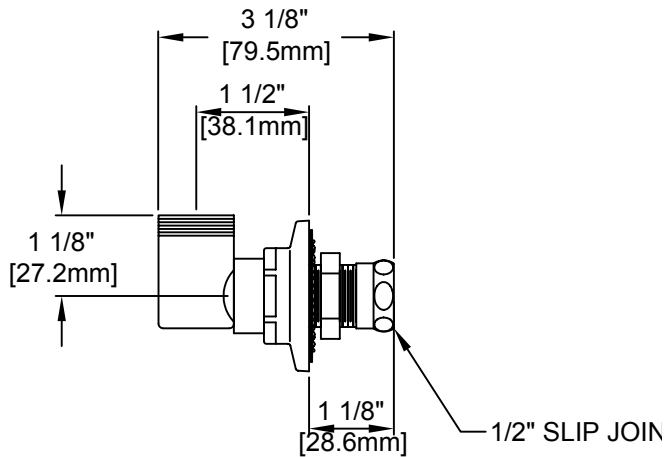
- * BACKSPLASH MOUNT
- * SWIVEL OUTLET
- * 1/2" NPT INLET
- * PLATED CHROME BODY
- * 1/2" SLIP JOINT KIT INCLUDED

SYSTEM LIMITS

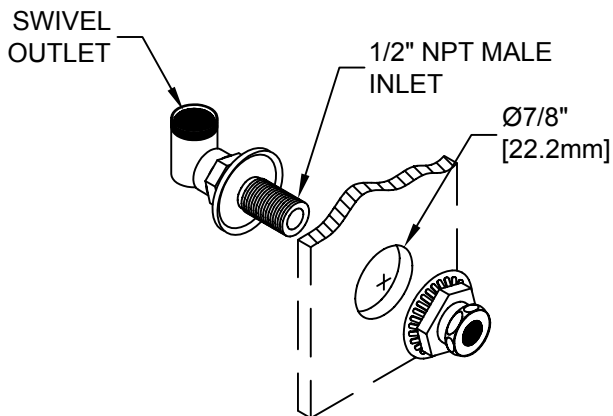
- * TEMP: 40°F MIN. TO 140° MAX.
- * PRESSURE: 200 PSI MAX. STATIC

SHIPPING WEIGHT

- * 0.625 LBS



ROUGH-IN:



 ANSI/A112.18.1M

FISHER

FISHER MANUFACTURING COMPANY
TOLL FREE: 800-421-6162 - FAX: 800-832-8238
information@fisher-mfg.com - www.fisher-mfg.com